

# PMC

Intelligent Permanent Magnet Frequency Conversion Pump



# NORDIK



# PM Series

INTELLIGENT PERMANENT MAGNET  
FREQUENCY CONVENTION MULTISTAGE PUMP

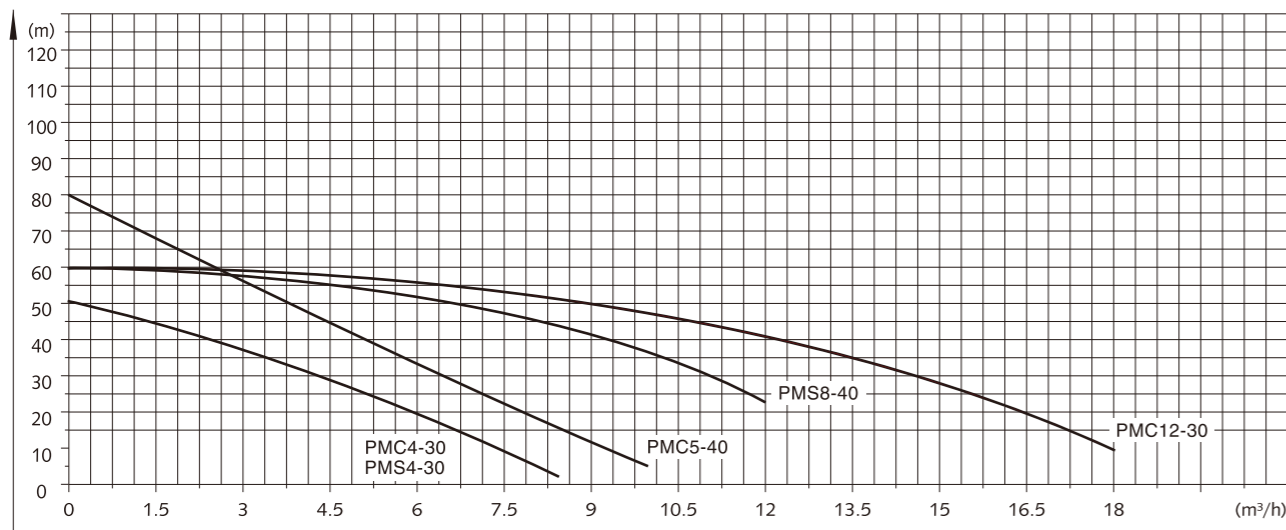


PMC

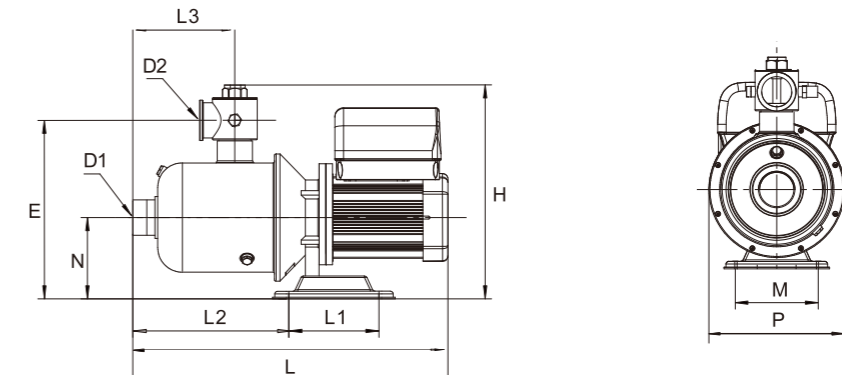
## TECHNICAL DATA

| Model    | Power range (w) | Max.Head (m) | Rated Head (m) | Max. Flow (m³/h) | Rated Flow (m³/h) | Max.Speed r.p.m | Voltage (V) | Frequency (Hz) | Inlet&Outlet (inch) |
|----------|-----------------|--------------|----------------|------------------|-------------------|-----------------|-------------|----------------|---------------------|
| PMC4-30  | 100-900         | 50           | 30             | 8                | 4                 | 4000            | 220 ± 20%   | 50/60          | 1 1/4 / 1 1/4       |
| PMC5-40  | 100-1100        | 80           | 40             | 8                | 5                 | 5000            | 220 ± 20%   | 50/60          | 1 1/4 / 1 1/4       |
| PMC12-40 | 400-2200        | 60           | 40             | 18               | 12                | 4500            | 220 ± 20%   | 50/60          | 2" / 2"             |

## PERFORMANCE CURVE



## INSTALLATION DIMENSION



## TECHNICAL DATA

| Model              | D1     | D2 | N     | E     | L1    | L2    | L3  | L   | H   | M   | P   | G.W(kg) |
|--------------------|--------|----|-------|-------|-------|-------|-----|-----|-----|-----|-----|---------|
| PMC4-30<br>PMC5-40 | G1/1/4 | G1 | 113.5 | 247   | 120.5 | 168   | 134 | 405 | 283 | 104 | 193 | 13      |
| PMC12-40           | G2     | G2 | 14    | 328.5 | 195   | 287.5 | 166 | 595 | 350 | 157 | 234 | 28      |

## CONTROL PANEL



- Output pressure error
- Water leakage
- Water shortage
- Voltage protection
- Temperature protection
- WIFI
- Water pressure indicator
- Super quiet

### Motor

- Totally enclosed, fan-cooled, 2-pole IE4 permanent magnet motors
- Enclosure class: IP44
- Insulation class: F
- Voltage: 180V~260V

### Work condition

- Liquid temperature 0°C to +70°C
- Ambient temperature 0°C to +40°C
- PH of liquid 6.5~8.5
- Particle <0.2mm